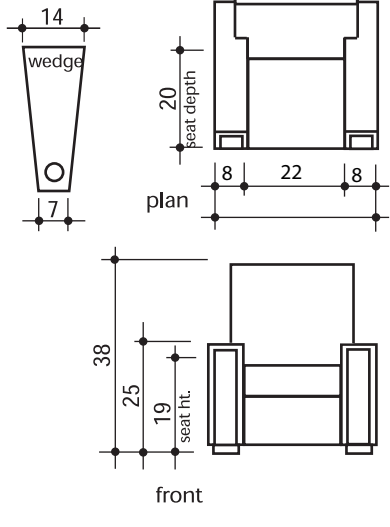


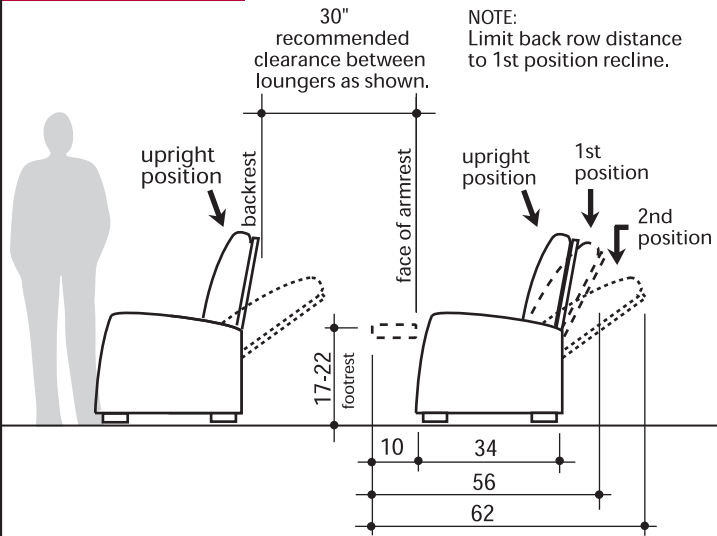
lounger basics



Celebrity Lounger is available in:

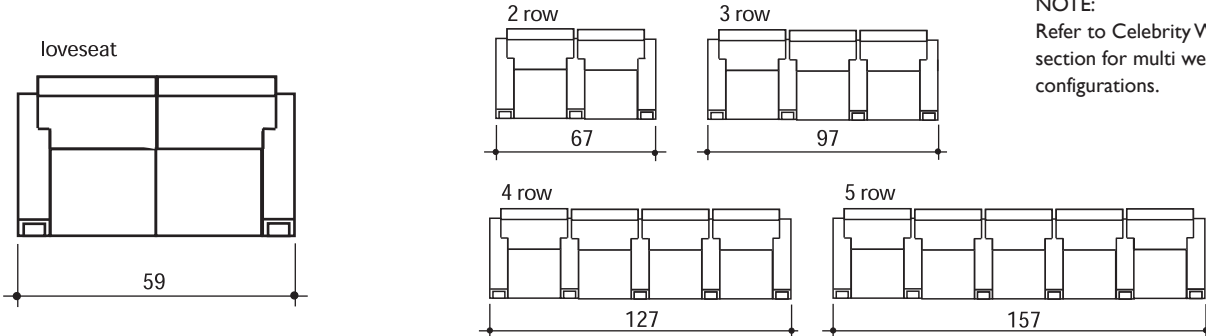
- single
- rows
- wedges
- loveseat
- with or without cupholder or with tilt-out cupholder

lounger clearances



NOTE: Limit back row distance to 1st position recline.

seating plans



NOTE: Refer to Celebrity Wedge section for multi wedge configurations.

no scale - all dimensions shown are in inches

wedge configuration

