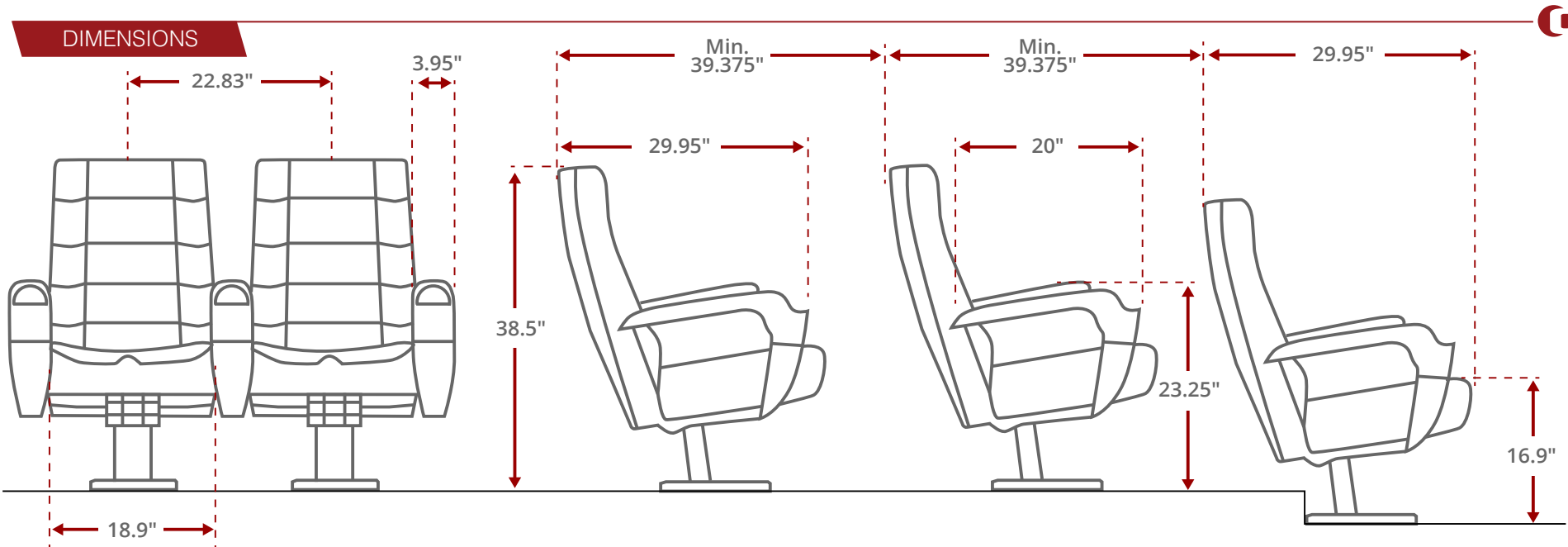


# FEATURES

- ▶ Cold Rolled Steel Frame
- ▶ ABS Plastic Outer Shell
- ▶ High Density Molded Foam
- ▶ Several Cupholder Options
- ▶ Optional Padded Arms
- ▶ CA-117 Compliant
- ▶ Optional Flip Up Arms
- ▶ Rocker or Fixed Back Mechanism
- ▶ Fixed Seat
- ▶ Upholstery & Color Options



## DIMENSIONS



Specifications are correct at time of printing and are subject to change without notice.

All measurements in inches.

