

FEATURES

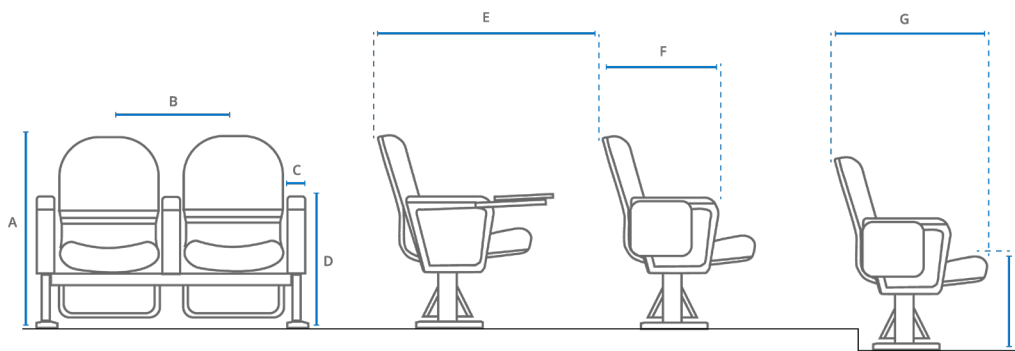
- Cold-Rolled Steel
- ABS Plastic Shell
- High Density Molded Foam
- Plastic Armrest
- Optional Table
- Noise Absorbing Bottom Seat

SPECIFICATIONS

(MEASUREMENTS IN INCHES)

A - Chair Height	34.65"
B - Center to Center	22.05"
C - Arm Width	2.36"
D - Arm Height	24.81"
E - Min. Clearance	35.43"
F - Chair Depth Closed	24.81"
G - Chair Depth Open	24.81"
H - Seat Height	16.93"

This model is completely customizable and can be modified for different measurements.



SPECIFICATIONS

the 5003series

