



## FEATURES

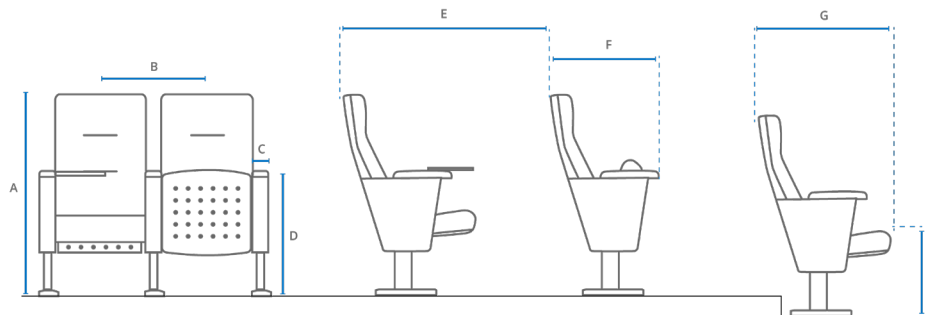
- Aluminum Alloy Frame Construction
- Plywood Seat Back
- High Density Molded Foam
- Wood or Plastic Arm
- Optional Table
- Noise Absorbing Plywood Bottom

## SPECIFICATIONS

(MEASUREMENTS IN INCHES)

<b>A</b> - Chair Height	40.16"
<b>B</b> - Center to Center	23.22"
<b>C</b> - Arm Width	2.36"
<b>D</b> - Arm Height	25.19"
<b>E</b> - Min. Clearance	35.43"
<b>F</b> - Chair Depth Closed	24.81"
<b>G</b> - Chair Depth Open	28.35"
<b>H</b> - Seat Height	16.93"

This model is completely customizable and can be modified for different measurements.



SPECIFICATIONS

the 5112series

**OCTANE**  
SEATING  
HIGH PERFORMANCE COMFORT